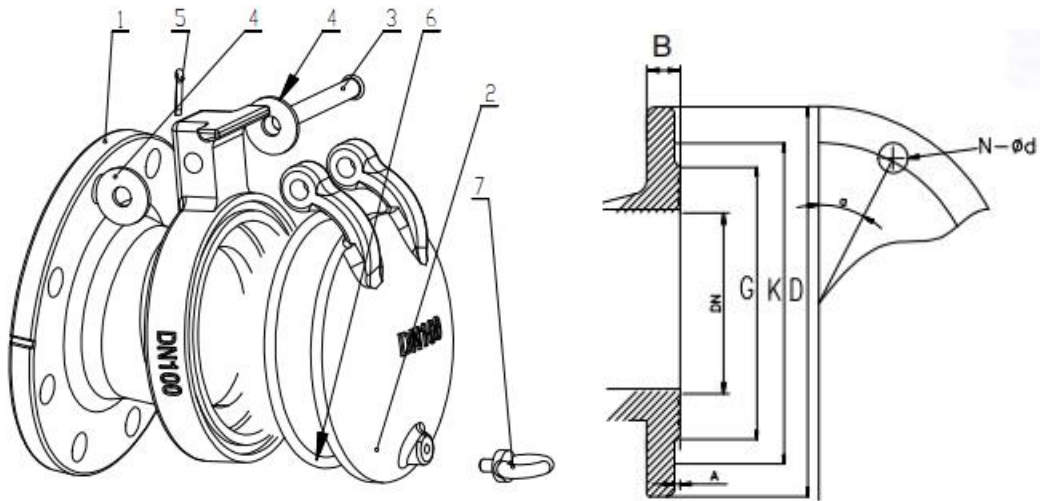


QINGDAO JUDBERD MACHINERY CO LTD

FLAP VALVE

User Manual



1) Main parameters

Nominal Pressure:PN10

Suitable medium: pure water, river water and municipal sewage

Suitable temperature: 0-80°C

Norms: Flange EN1092-2

2) Main dimensions and installation dimensions

DN	ØD	ØK	ØG	n-Ød	A	B
	PN10	PN10	PN10	PN10		
DN50	Ø165	Ø125	Ø102	4-Ø19	3	19
DN65	Ø185	Ø145	Ø122	4-Ø19	3	19
DN80	Ø200	Ø160	Ø138	8-Ø19	3	19
DN100	Ø220	Ø180	Ø158	8-Ø19	3	19
DN125	Ø250	Ø210	Ø188	8-Ø19	3	19
DN150	Ø285	Ø240	Ø212	8-Ø23	3	19
DN200	Ø340	Ø295	Ø268	8-Ø23	3	20
DN250	Ø405	Ø350	Ø320	12-Ø23	3	22
DN300	Ø460	Ø400	Ø370	12-Ø23	3	25
DN400	Ø580	Ø515	Ø482	16-Ø27	4	28
DN600	Ø840	Ø725	Ø690	20-Ø31	4	36