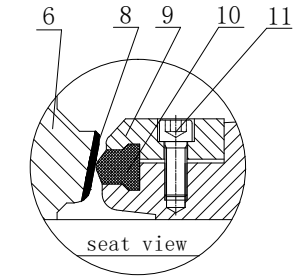
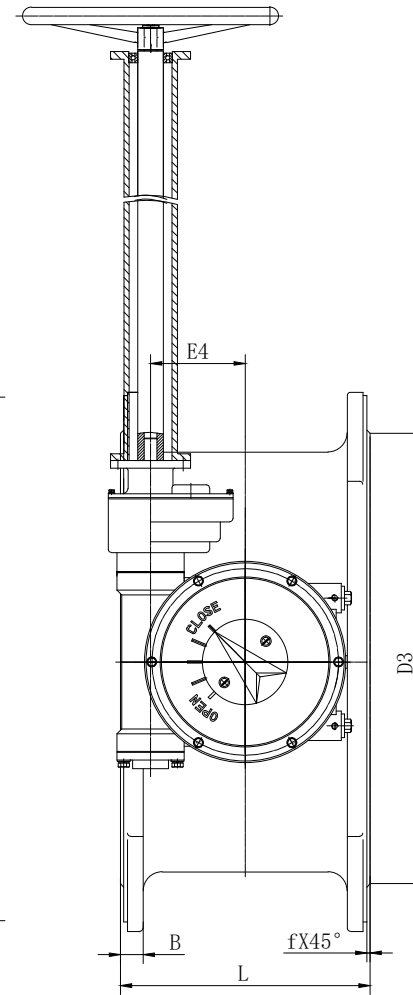
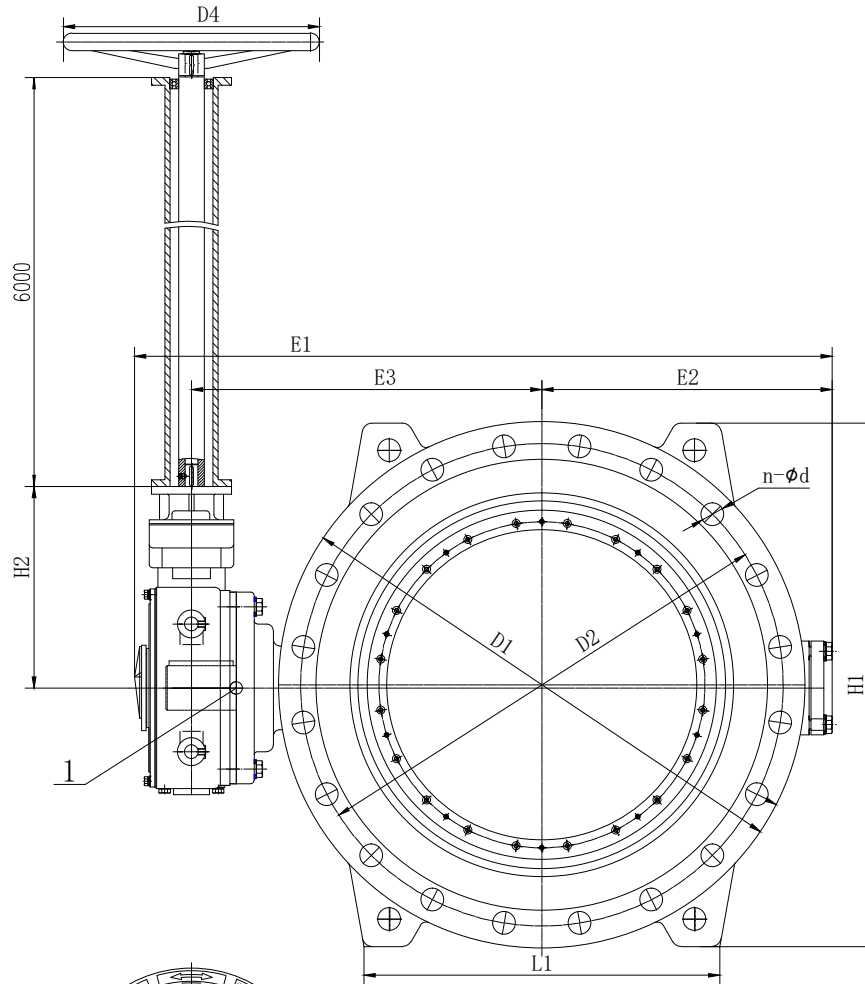
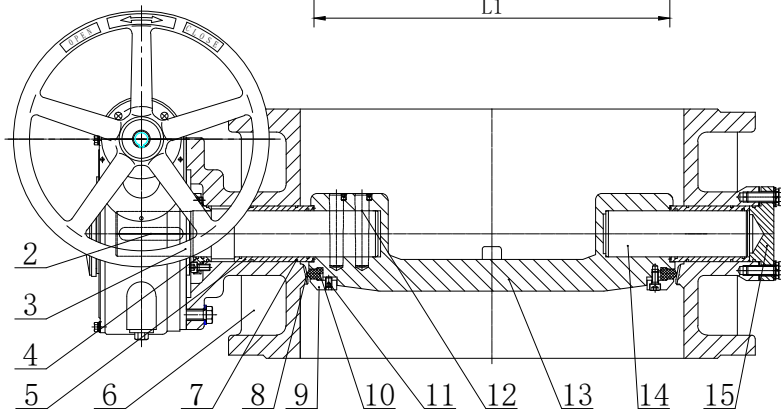


DN/PN	D1	D2	D3	B	f	L	n-d	H1	H2	E1	E2	E3	E4	L1	D4	Gear ratio	Open turns
700/16	φ910	φ840	φ794	39.5	5	430	24-φ37	920	425	1305	537	665	185	480	φ400	384:1	96



- Technical requirements
- 1 Design to EN593;
  - 2 Flange to EN 1092-2;
  - 3 Face to face length to ISO 5752 series 14;
  - 4 Pressure test to EN12266-1.



15	shaft end	GJS500-7
14	lower shaft	SS420
13	valve disc	GJS500-7
12	taper pin	SS420
11	screw	A2-70
10	disc seal	EPDM
9	retainer ring	Q235+epoxy coating
8	body seat	SS304
7	O ring	EPDM
6	valve body	GJS500-7
5	shaft bush	bronze
4	packing gland	GJS500-7
3	upper shaft	SS420
2	key	SS420
1	locking pin	45#
Sr.no	Part name	Material

										Flanged double eccentric butterfly valve		PN16	
												700 D342Xb	
										Date:			