

① DUCTILE IRON END RINGS
 ACCORDING TO EN1563

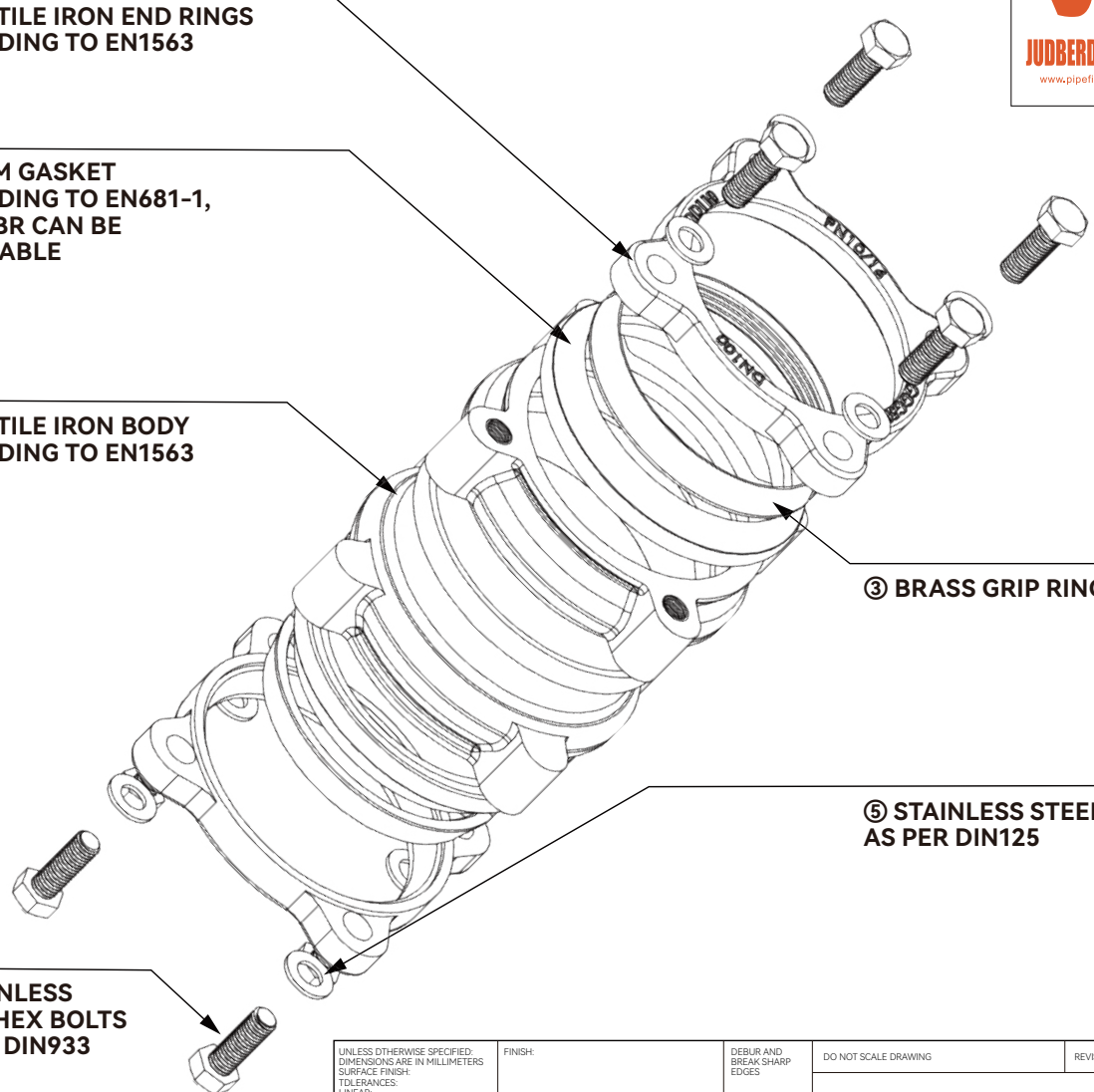
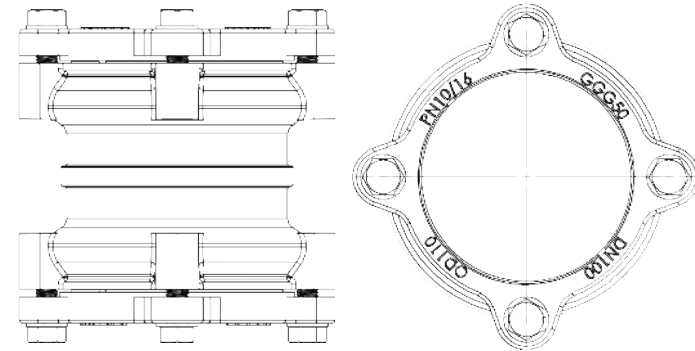
② EPDM GASKET
 ACCORDING TO EN681-1,
 SBR, NBR CAN BE
 APPLICABLE

④ DUCTILE IRON BODY
 ACCORDING TO EN1563

③ BRASS GRIP RING CW617N

⑤ STAINLESS STEEL WASHER
 AS PER DIN125

⑥ STAINLESS
 STEEL HEX BOLTS
 AS PER DIN933

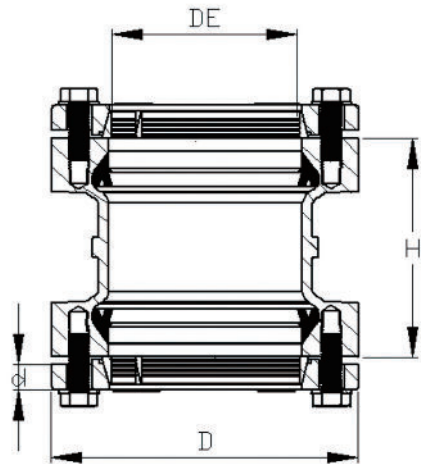


PRECAUTIONS

THIS RESTRAINED COUPLING IS DESIGNED FOR HDPE PIPE.
 WITH GRIP RINGS TO AVOID PIPES TO BE PULLED OUT,
 PIPE STIFFENERS ARE RECOMMENDED TO BE USED

SEE PAGE 2 FOR TECHNICAL SPECIFICATIONS.

UNLESS OTHERWISE SPECIFIED: DIMENSIONS ARE IN MILLIMETERS SURFACE FINISH: TOLERANCES: LINEAR: ANGULAR:				FINISH:	DEBUR AND BREAK SHARP EDGES	DO NOT SCALE DRAWING	REVISION
DRAWN	NAME	SIGNATURE	DATE			TITLE: RESTRAINED COUPLING FOR HDPE PIPE Sr No. JC009	
CHK'D						MANUFACTURER QINGDAO JUDBERD MACHINERY CO LTD	
APP'VD						SCALE:	SHEET 2 OF 2
MFG					MATERIAL:		
Q.A					WEIGHT:		



NOMINAL DIAMETER	PIPE OUTSIDE DIAMETER	END RINGS OUTSIDE DIAMETER	BODY HEIGHT	d	BOLTS SIZE/BOLTS NO.
DN	OD	D	H		BOLTS MxNo.
DN50	63	130	125	20	M12x2
DN65	75	142	126	21	M12x2
DN80	90	160	128	21	M12x4
DN100	110	180	130	22	M12x4
DN125	125	195	134	22.5	M12x4
DN125	140	221	145	22.5	M12x4
DN150	160	235	170	23.5	M12x4
DN150	180	255	185	23.5	M12x4
DN200	200	274	210	25	M12x4
DN200	225	302	215	25	M12x4
DN250	250	328	240	25	M12x6
DN250	280	358	250	25	M12x6
DN300	315	292	300	25	M12x6

NOTE

DATA SUCH AS THE ABOVE IS BASED ON OUR MOST ACCURATE AT THE TIME OF OUR RELEASE, BUT WE MAY MAKE UPDATES OR IMPROVEMENTS TO OUR PRODUCTS, SO IF YOU NEED THE LATEST, PLEASE CONTACT US.

UNLESS OTHERWISE SPECIFIED: DIMENSIONS ARE IN MILLIMETERS				FINISH:		DEBUR AND BREAK SHARP EDGES		DO NOT SCALE DRAWING		REVISION	
SURFACE FINISH:											
TOLERANCES:											
LINEAR:											
ANGULAR:											
NAME		SIGNATURE		DATE						TITLE:	
DRAWN										RESTRAINED COUPLING FOR HDPE PIPE Sr No. JC009	
CHK'D											
APP'VD											
MFG										MANUFACTURER	
Q.A						MATERIAL:				QINGDAO JUDBERD MACHINERY CO LTD	
						WEIGHT:				SCALE:	
										SHEET 2 OF 2	