



# JUDBERD MACHINERY

## RESTRAINED FLANGE ADAPTOR FOR HDPE PIPE Series No. FA008

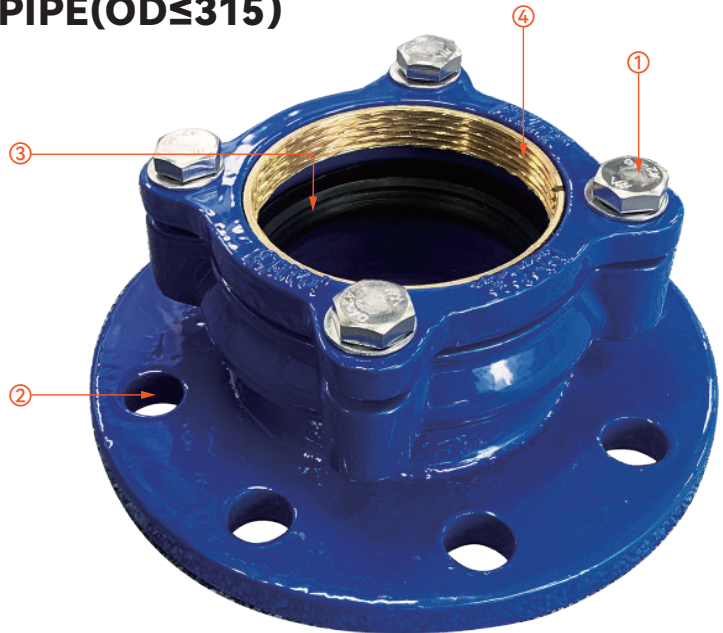
### RESTRAINED TYPE FOR HDPE PIPE(OD≤315)

FOR BIGGER SIZE, PLEASE REFERE TO OUR MECHANICAL JOINT FLANGE ADAPTOR SERIES NO. FA002

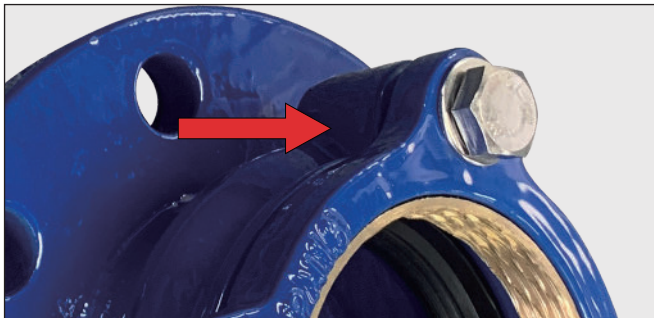
**2 YEARS WARRANTY**

**30 YEARS EXPERIENCE**

**CERTIFIED TO WRAS AND ACS**



### FEATURE



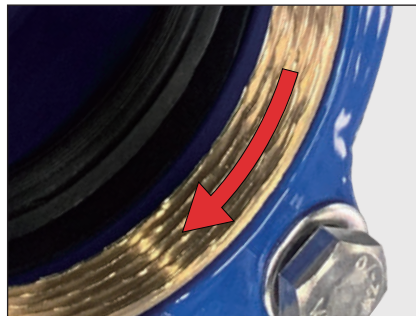
**① INDIVIDUAL LOCKING**  
BOTH ENDS DO NOT INTERFERE WITH EACH OTHER, QUICK INSTALLATION



**② MULTI DRILLING HOLES**  
DRILLED HOLES CAN MEET BOTH PN10 AND PN16 ACCORDING TO EN1092-2, OTHER FLANGES ALSO AVAILABLE UPON REQUIREMENT



**③ BETTER SEALING AS WATER PRESSURE INCREASES**  
WATER PRESSURE PRESS GASKET TO BE SEALING BETTER AS ABOVE ARROW INDICATION



**④ TWO TYPES GRIP RINGS FOR OPTION**

WE HAVE FISH SCALE SHAPE AND STRAIGHT STRIP SHAPE GRIP RINGS AVAILABLE. THE FISH SCALE SHAPE HAS A BETTER LOCKING FUNCTION, BUT IT IS A LITTLE BIT MORE COMPLICATED TO MAKE.

### NOTE

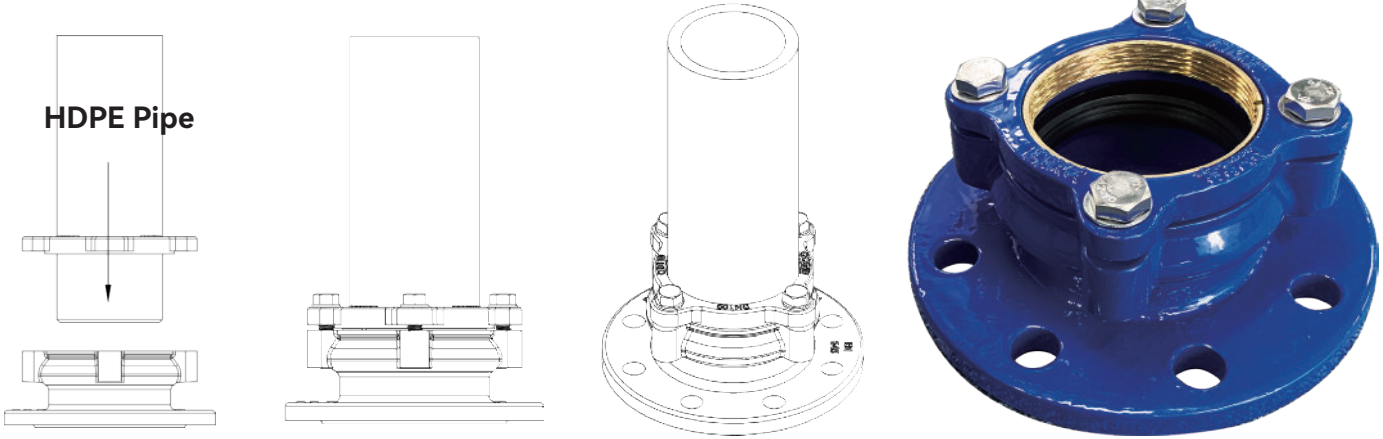
DATA SUCH AS THE ABOVE IS BASED ON OUR MOST ACCURATE AT THE TIME OF OUR RELEASE, BUT WE MAY MAKE UPDATES OR IMPROVEMENTS TO OUR PRODUCTS, SO IF YOU NEED THE LATEST, PLEASE CONTACT US.



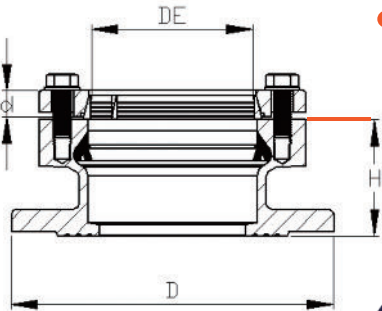
# JUDBERD MACHINERY

## RESTRAINED FLANGE ADAPTOR FOR HDPE PIPE Series No. FA008

### DATA SHEET



NOMINAL DIAMETER	HDPE PIPE OUTSIDE DIAMETER	MAXIMUM PRESSURE	MAXIMUM DEFLECTION ANGLE	MAXIMUM ALLOWED LENGTH OF PIPE INSERTION	ALLOWABLE PIPE OVAL	ALLOWABLE PIPE O.D. TOLERANCE
DN	DE	bar				
DN50	63	25	±3°	38-60	1.5	±0.75
DN65	75	25	±3°	38-60	1.5	±0.75
DN80	90	25	±3°	40-63	1.5	±0.75
DN100	110	25	±3°	40-63	1.5	±0.75
DN125	125	25	±3°	40-65	1.5	±0.75
DN125	140	25	±3°	45-65	1.5	±0.75
DN150	160	25	±3°	48-70	1.5	±0.75
DN150	180	25	±3°	48-70	1.5	±0.75
DN200	200	25	±3°	55-90	1.5	±0.75
DN200	225	25	±3°	55-90	1.5	±0.75
DN250	250	25	±3°	60-110	1.5	±0.75
DN250	280	25	±3°	60-110	1.5	±0.75
DN300	315	25	±3°	65-130	1.5	±0.75



● PLEASE NOTE THAT THE MAXIMUM PIPE INSERTION DEPTH REFERS TO THE DISTANCE FROM THE BODY OUTSIDE SURFACE (RED MARKED SURFACE AS PER LEFT DIAGRAM) TO THE END OF THE PIPE WHEN THE RESTRAINED FLANGE ADAPTOR IS TIGHTENED TO A WORKING CONDITION.



SERIES NO. FA011
SERIES NO. FA004
SERIES NO. FA008

● THREE OPTION FOR RESTRAINED FLANGE ADAPTOR WHICH IS USED FOR HDPE PIPE CONNECTION

### NOTE

DATA SUCH AS THE ABOVE IS BASED ON OUR MOST ACCURATE AT THE TIME OF OUR RELEASE, BUT WE MAY MAKE UPDATES OR IMPROVEMENTS TO OUR PRODUCTS, SO IF YOU NEED THE LATEST, PLEASE CONTACT US.