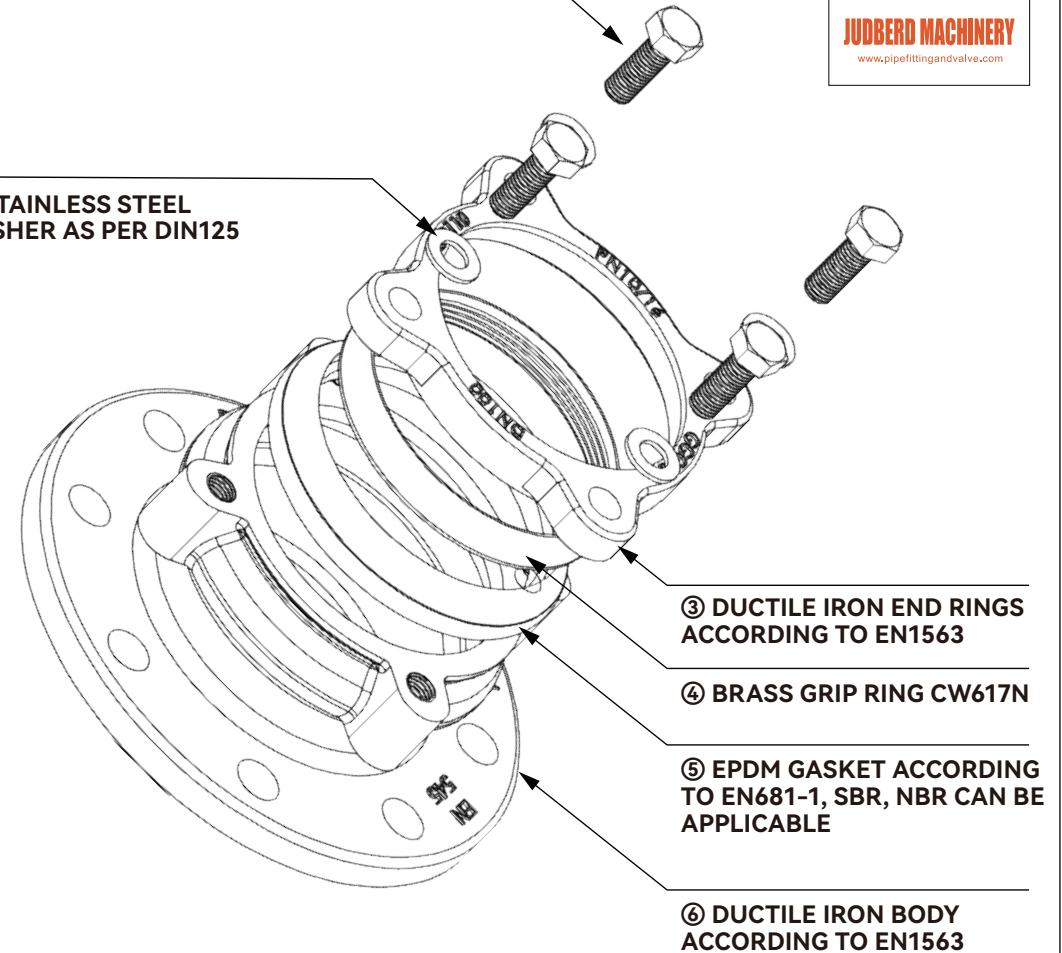


① STAINLESS STEEL HEX BOLTS AS PER DIN933

② STAINLESS STEEL WASHER AS PER DIN125



③ DUCTILE IRON END RINGS ACCORDING TO EN1563

④ BRASS GRIP RING CW617N

⑤ EPDM GASKET ACCORDING TO EN681-1, SBR, NBR CAN BE APPLICABLE

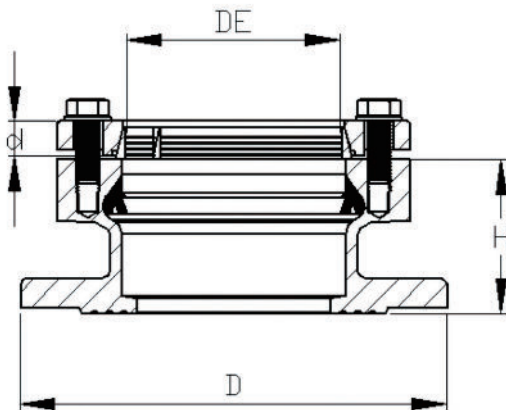
⑥ DUCTILE IRON BODY ACCORDING TO EN1563

PRECAUTIONS

THIS RESTRAINED FLANGE ADAPTOR IS DESIGNED FOR METRIC HDPE PIPE (HIGH DENSITY POLYETHYLENE PIPE),TYPE FOR IPS STANDARD HDPE PIPE IS APPLICABLE,PLEASE CONSULT JUDBERD IF YOU NEED. PIPE STIFFENERS ARE RECOMMENDED TO BE USED

SEE PAGE 2 FOR TECHNICAL SPECIFICATIONS.

| | | | | | | | |
|---|------|-----------|------|---------|-----------------------------------|---|--------------|
| UNLESS OTHERWISE SPECIFIED: DIMENSIONS ARE IN MILLIMETERS SURFACE FINISH: TOLERANCES: LINEAR: ANGULAR: | | | | FINISH: | DEBUR AND BREAK SHARP EDGES | DO NOT SCALE DRAWING | REVISION |
| DRAWN | NAME | SIGNATURE | DATE | | | TITLE: RESTRAINED FLANGE ADAPTOR FOR HDPE PIPE SERIES NO. FA008 | |
| CHK'D | | | | | | MANUFACTURER QINGDAO JUDBERD MACHINERY CO LTD | |
| APP'VD | | | | | | SCALE: | SHEET 2 OF 2 |
| MFG | | | | | MATERIAL: | | |
| Q.A | | | | | WEIGHT: | | |



| FLANGE SIZE | HDPE PIPE OUTSIDE DIAMETER | FLANGE OUTSIDE | H | d | BOLTS SIZE X BOLTS No. | APPX.WEIGH (KGS) |
|-------------|----------------------------|----------------|-----|------|------------------------|------------------|
| DN | DE | D | | | | |
| DN50 | 63 | 165 | 75 | 20.0 | M12x2 | 4.1 |
| DN65 | 75 | 185 | 75 | 21.0 | M12x2 | 4.7 |
| DN80 | 90 | 200 | 80 | 21.0 | M12x4 | 5.8 |
| DN100 | 110 | 220 | 80 | 22.0 | M12x4 | 6.1 |
| DN125 | 125 | 250 | 85 | 22.5 | M12x4 | 7.5 |
| DN125 | 140 | 250 | 85 | 22.5 | M12x4 | 8.4 |
| DN150 | 160 | 285 | 90 | 23.5 | M12x4 | 9.7 |
| DN150 | 180 | 285 | 90 | 23.5 | M12x4 | 10.5 |
| DN200 | 200 | 340 | 110 | 25.0 | M12x4 | 16.6 |
| DN200 | 225 | 340 | 110 | 25.0 | M12x4 | 17.6 |
| DN250 | 250 | 405 | 130 | 25.0 | M12x6 | 19.6 |
| DN250 | 280 | 405 | 130 | 25.0 | M12x6 | 20.9 |
| DN300 | 315 | 460 | 150 | 25.0 | M12x6 | 29.5 |

NOTE

DATA SUCH AS THE ABOVE IS BASED ON OUR MOST ACCURATE AT THE TIME OF OUR RELEASE, BUT WE MAY MAKE UPDATES OR IMPROVEMENTS TO OUR PRODUCTS, SO IF YOU NEED THE LATEST, PLEASE CONTACT US.

| | | | | | | | | | | |
|---|--|--|---------|--|-----------------------------|--|----------------------|--|---|--|
| UNLESS OTHERWISE SPECIFIED: DIMENSIONS ARE IN MILLIMETERS | | | FINISH: | | DEBUR AND BREAK SHARP EDGES | | DO NOT SCALE DRAWING | | REVISION | |
| SURFACE FINISH: | | | | | | | | | | |
| TOLERANCES: | | | | | | | | | | |
| LINEAR: | | | | | | | | | | |
| LINEAR: | | | | | | | | | | |
| ANGULAR: | | | | | | | | | | |
| DRAWN | | | NAME | | SIGNATURE | | DATE | | TITLE: | |
| CHK'D | | | | | | | | | RESTRAINED FLANGE ADAPTOR FOR HDPE PIPE SERIES NO. FA008 | |
| APP'VD | | | | | | | | | MANUFACTURER | |
| MFG | | | | | | | | | QINGDAO JUDBERD MACHINERY CO LTD | |
| Q.A | | | | | | | | | SCALE: | |
| | | | | | | | | | SHEET 2 OF 2 | |
| | | | | | | | | | WEIGHT: | |