

# JUDBERD MACHINERY



## TAPPING SADDLE WITH FLANGE OUTLET -DOUBLE BAND/MULTIPLE BANDS STYLE TSFO

**SADDLE CLAMP ,WIDE RANGE TYPE ,DESIGNED FOR VARIOUS PIPES (DUCTILE IRON PIPE,STEEL PIPE,GRP PIPE,AC PIPE,PVC PIPE,PE PIPE ETC) WHICH PIPE OUTSIDE DIAMETER IS IN OUR RANGE. FLANGE OUTLET FROM DN50 TO DN300 PN10/16**

BIGGER SIZE AND HIGHER PRESSURE ARE ALSO AVAILABLE, PLEASE CONSULT JUDBERD.

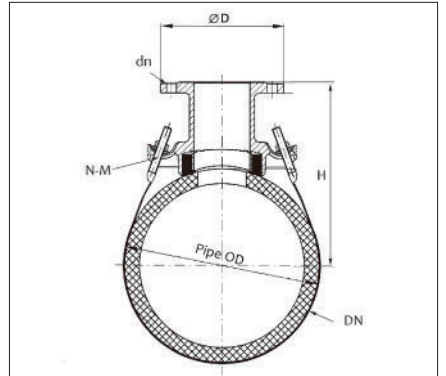


**2 YEARS WARRANTY**  
ACCORDING TO DIFFERENT MATERIAL CHOICE



**30 YEARS EXPERIENCE**

**CERTIFIED TO WRAS AND ACS**



DN	OD	dn	ΦD		H	N-M
			PN10	PN16		
50	48-62	50	165	165	140	4-M12
65	57-78	50	165	165	150	4-M12
80	75-98	50	165	165	155	4-M12
80	75-98	65	185	185	155	4-M12
100	108-133	50	165	165	165	4-M12
100	108-133	65	185	185	165	4-M12
100	108-133	80	200	200	170	4-M12
125	122-146	50	165	165	180	4-M12
125	122-146	65	185	185	180	4-M12
125	122-146	80	200	200	185	4-M12
125	122-146	100	220	220	195	4-M12
150	158-177	50	165	165	190	4-M12
150	158-177	65	185	185	190	4-M12
150	158-177	80	200	200	200	4-M12

DN	OD	dn	ΦD		H	N-M
			PN10	PN16		
150	158-177	100	220	220	205	4-M12
200	206-235	80	200	200	225	4-M12
200	206-235	100	220	220	230	4-M12
200	206-235	150	285	285	245	6-M12
250	248-274	80	200	200	265	4-M12
250	248-274	100	220	220	270	4-M12
250	248-274	150	285	285	280	6-M12
250	248-274	200	340	340	290	6-M12
300	313-338	80	200	200	295	4-M16
300	313-338	100	220	220	300	4-M16
300	313-338	150	285	285	310	6-M16
300	313-338	200	340	340	320	6-M16
300	313-338	250	395	405	330	8-M16
500	508-532	100	220	220	405	4-M16

Other DN ,OD range and dn are also available upon requirement.

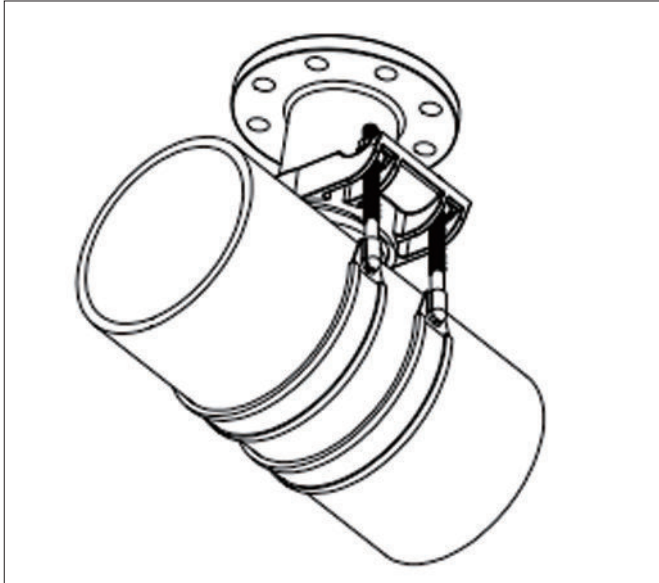
TAPPING SADDLE WITH FLANGE OUTLET  
-DOUBLE BAND/  
MULTIPLE BANDS STYLE TSFO

# JUDBERD MACHINERY

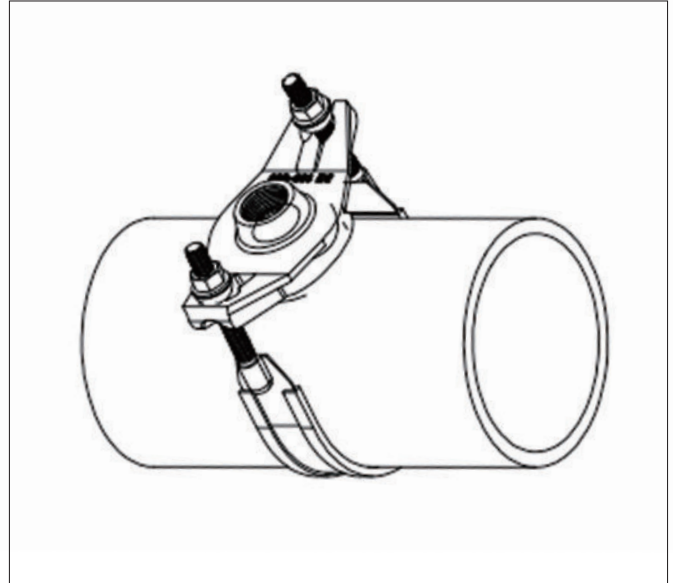


## TAPPING SADDLE WITH FLANGE OUTLET -DOUBLE BAND/MULTIPLE BANDS STYLE TSFO

TAPPING SADDLE WITH FLANGE OUTLET  
-DOUBLE BAND/  
MULTIPLE BANDS STYLE TSFO



Flange outlet type is normally used for big outlet (min. size can be DN40 PN10), min. strips quantity is 2 pcs.



Thread outlet type is used for small size outlet (max.size can be 3" ), for small main pipe outside diameter one pc strip is enough, for bigger main pipe outside diameter , 2pcs strips are needed, please refer to our tapping saddle with thread outlet Style TSTO.

### THE KEY DIMENSIONS OF TAPPING SADDLE WITH FLANGE OUTLET CONSIST OF TWO PARTS:

2nd is the standard , size and PN (working pressure) of the flange outlet for the branch (as shown in Figure 2).

1st is the material and outer diameter of the main pipe (as shown in Figure 1).

