

# JUDBERD MACHINERY



## SADDLE CLAMP FOR AC PIPE WITH METRIC THREAD STYLE SCACPMT001

**FROM DN60 TO DN300 PN10/16, WITH M40 AND M55 OUTLET**

BIGGER SIZE AND HIGHER PRESSURE ARE ALSO AVAILABLE , PLEASE CONSULT JUDBERD.



**2 YEARS/5 YEARS/10 YEARS WARRANTY** ACCORDING TO DIFFERENT MATERIAL CHOICE

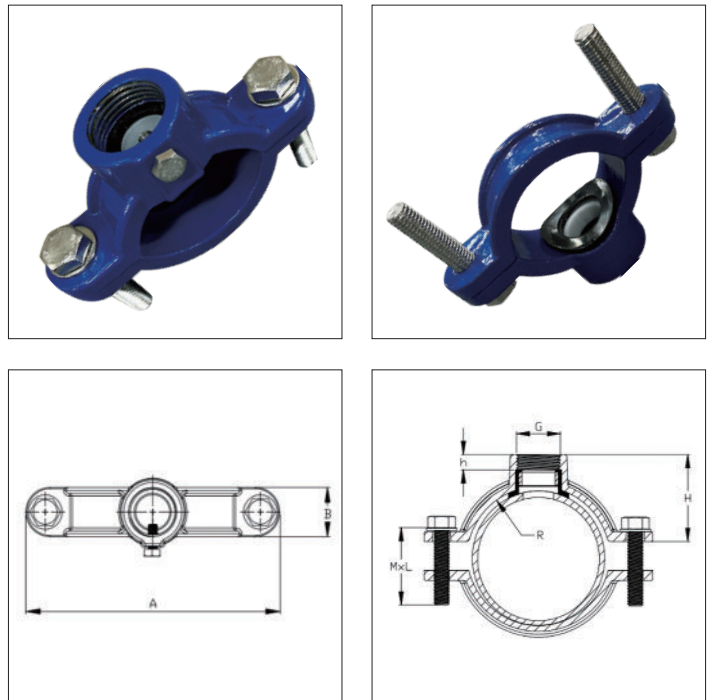


**30 YEARS EXPERIENCE**

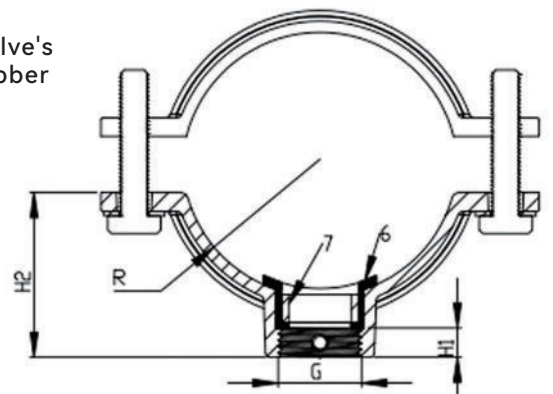
**CERTIFIED TO WRAS AND ACS**



Size	G	A	B	H	h	R	MxL
DN60	M40x3	164	40	56	14	43	M14x70
	M55x3	164	40	61	19	43	M14x70
DN80	M40x3	186	40	67	14	54	M14x70
	M55x3	186	40	72	19	54	M14x70
DN100	M40x3	210	40	79	14	66	M14x70
	M55x3	210	40	84	19	66	M14x70
DN125	M40x3	236	40	92	14	79	M14x70
	M55x3	236	40	97	19	79	M14x70
DN150	M40x3	266	40	107	14	94	M14x70
	M55x3	266	40	112	19	94	M14x70
DN200	M40x3	330	40	138	14	125	M14x70
	M55x3	330	40	143	19	125	M14x70
DN250	M40x3	382	45	164	14	151	M14x70
	M55x3	382	45	169	19	151	M14x70
DN300	M40x3	441	45	193.5	14	180.5	M14x70
	M55x3	441	45	195.5	19	180.5	M14x70



- 1, Outlet thread must be metric thread, without sealing function.
- 2, When installing the isolation valve, the bottom of the isolation valve's thread presses against the sealing surface of the saddle clamp's rubber gasket (as below figure No.6) to create a seal. To ensure a robust and stable seal, we have designed a PTFE support ring at the base of the rubber gasket to support the sealing surface (as shown in Figure No.7).
- 3, Please note that this metric thread saddle clamp can only be connected with isolation valves that have the same metric thread. It cannot be used with isolation valves that have other thread standards.
- 4, In addition to the outlet sizes listed in the table, we can also provide larger outlet sizes. However, this requires special design adjustments and mold modifications.



SADDLE CLAMP FOR AC PIPE WITH METRIC THREAD STYLE SCACPMT001

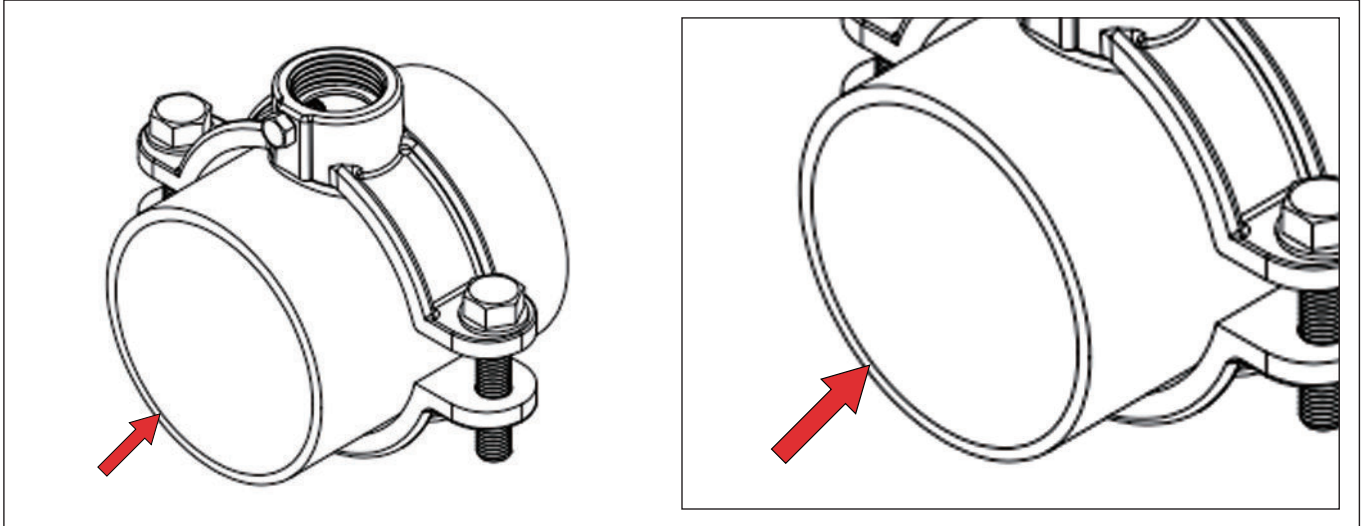
# JUDBERD MACHINERY



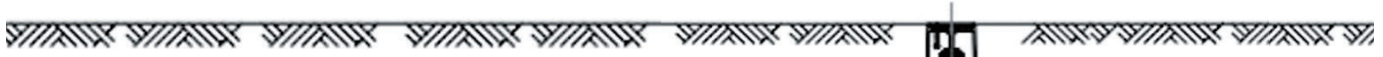
## SADDLE CLAMP FOR AC PIPE WITH METRIC THREAD STYLE SCACPMT001

SADDLE CLAMP FOR AC PIPE WITH METRIC THREAD STYLE SCACPMT001

### PIPE COMPATIBILITY



AC PIPE (ASBESTOS CEMENT PIPE)



Isolation valve can be any valve with a shut-off function, such as a gate valve, ball valve, or service valve. However, it is essential to ensure that thread on the valve match the standard and size of the metric female threads on the outlet of the saddle clamp.

The key dimensions of a saddle clamp consist of two parts: 1st is the outer diameter of the main pipe (as shown in Figure 1), 2nd is the standard and size of the threaded outlet for the branch (as shown in Figure 2).

