

JUDBERD MACHINERY



SADDLE CLAMP FOR PE /PVC PIPE STYLE SCPEPVC 001

SADDLE CLAMP FOR PE /PVC PIPE STYLE SCPEPVC 001

SADDLE CLAMP SPECIFICALLY DESIGNED FOR HDPE AND PVC PLASTIC PIPES., FROM OD50 TO OD315 PN10/16

BIGGER SIZE AND HIGHER PRESSURE ARE ALSO AVAILABLE , PLEASE CONSULT JUDBERD.



2 YEARS/5 YEARS/10 YEARS WARRANTY ACCORDING TO DIFFERENT MATERIAL CHOICE



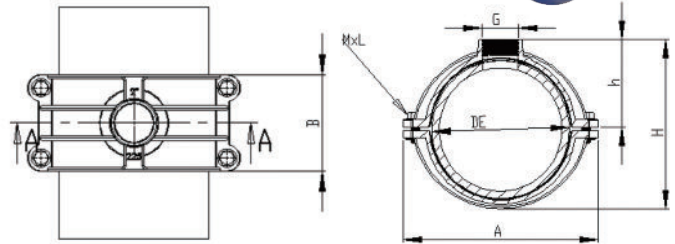
30 YEARS EXPERIENCE

● CERTIFIED TO WRAS AND ACS



JUDBERD MACHINERY

SADDLE CLAMP FOR PE /PVC PIPE STYLE SCPEPVC 001



PVC/PE PIPE OD DE	Outlet Size G	A	B	H	h	MXL
50	3/4"-1 1/4"	116.5	81	85	50	M10x35
63	3/4"-2"	132.7	91.2	95	53.5	M10x35
75	3/4"-2"	147	102	110	61.5	M10x35
90	3/4"-2"	156.5	100.5	127.5	71	M10x35
110	3/4"-2"	178.5	101.5	147	82	M10x35
125	3/4"-2"	201	111	166	93.4	M12x35
140	3/4"-2"	216	110	173	94	M12x35
160	3/4"-2"	236.5	126	197.5	106	M12x35
200	3/4"-2"	291	142.5	244	129	M14x35
250	3/4"-2"	343	145	296.5	155	M14x35
315	3/4"-2"	408	145	319	187	M14x35

Note Above dimension is according to Metric HDPE/PVC pipe, Saddle clamp for IPS standard HDPE/PVC pipe is also available upon requirement.

- 1, Outlet thread must be sealing thread such as BSP, NPT, or CC. Threads without a sealing function (e.g., metric threads) are not suitable.
- 2, The standard length for sealing threads is typically 20mm. If customers have special requirements, we can extend the length.
- 3, In addition to the outlet sizes listed in the table above, we can also provide larger outlet sizes. However, this requires special design adjustments and mold modifications.

JUDBERD MACHINERY



SADDLE CLAMP FOR PE /PVC PIPE STYLE SCPEPVC 001

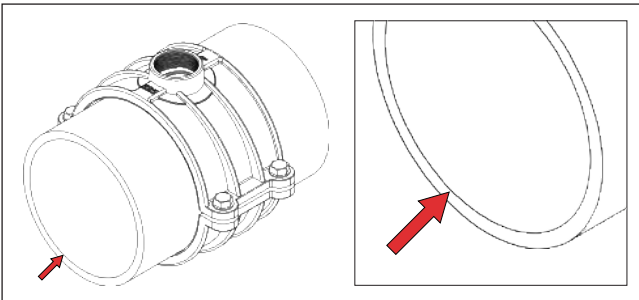
SADDLE CLAMP FOR PE /PVC PIPE STYLE SCPEPVC 001

FOR PE AND PVC PIPE

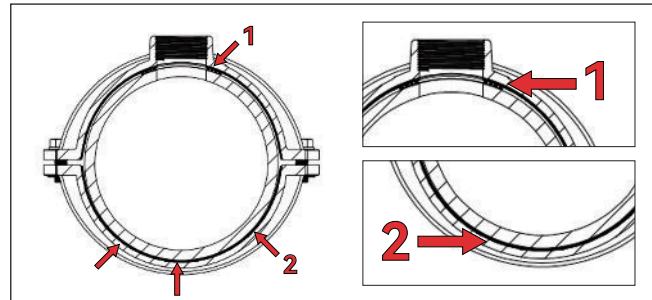


STYLE SCPEPVC 002	STYLE SCPEPVC 001
✓ Short	✓ Long
✓ 2 nos. bolts	✓ 4 nos. bolts
✓ Lower cost	✓ Higher cost
✓ Work well	✓ Work better

PIPE COMPATIBILITY



Designed for plastic pipe(HDPE &PVC pipe)
 For high-strength pipes such as ductile iron pipes, Steel pipe, cast iron pipe, asbestos cement pipe, GRP pipe etc, we can use narrower saddles to save costs. (Judberd wide range saddle clamp style WRSC001)



In addition to the sealing gasket around the outlet (as above figure 1), the inner surface of the saddle is 100% lined with EPDM rubber (as above figure 2) to protect the pipe surface.



Isolation valve can be any valve with a shut-off function, such as a gate valve, ball valve, or service valve. However, it is essential to ensure that the male threads on the valve match the standard of the female threads on the outlet of the saddle clamp and that the threads have a sealing function.

The key dimensions of a saddle clamp consist of two parts:
 1st is the material and outer diameter of the main pipe (as shown in Figure 1),
 2nd is the standard and size of the threaded outlet for the branch (as shown in Figure 2).

