

JUDBERD MACHINERY



SADDLE CLAMP FOR PE /PVC PIPE STYLE SCPEPVC 002

SADDLE CLAMP FOR PE /PVC PIPE STYLE SCPEPVC 002

SADDLE CLAMP SPECIFICALLY DESIGNED FOR HDPE AND PVC PLASTIC PIPES., FROM OD63 TO OD355 PN10/16

BIGGER SIZE AND HIGHER PRESSURE ARE ALSO AVAILABLE, PLEASE CONSULT JUDBERD.



2 YEARS/5 YEARS/10 YEARS WARRANTY ACCORDING TO DIFFERENT MATERIAL CHOICE



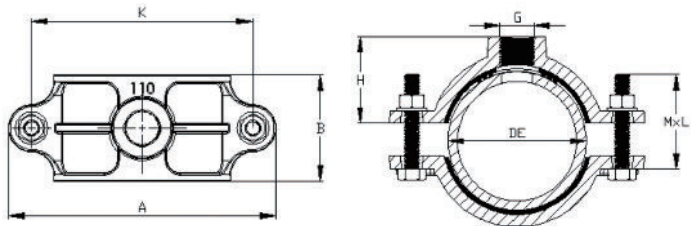
30 YEARS EXPERIENCE

CERTIFIED TO WRAS AND ACS



JUDBERD MACHINERY

SADDLE CLAMP FOR PE /PVC PIPE STYLE SCPEPVC 002



PVC/PE PIPE OD DE	Outlet Size G	A	B	H	h	MXL
63	3/4"-1"	150	60	115	45	M12x75
75	3/4"-1"	166	60	131	51	M12x75
90	3/4"-1"	180	80	145	58	M12x75
110	3/4"-1"	201	80	166	68	M12x75
125	3/4"-1"	215	100	180	77.5	M12x75
140	3/4"-1"	230	100	195	85	M12x75
160	3/4"-1"	255	100	21	95	M12X75
180	3/4"-1"	275	100	235	105	M12X75
200	3/4"-1"	304	100	260	115	M16x75
225	3/4"-1"	329	100	285	129	M16x75
250	3/4"-1"	357	100	313	140	M16x75
280	3/4"-1"	383	100	343	155	M16x75
315	3/4"-1"	422	100	378	173	M16x75
355	3/4"-1"	464	100	420	195	M16x75

Note Above dimension is according to Metric HDPE/PVC pipe, Saddle clamp for IPS standard HDPE/PVC pipe is also available upon requirement.

- 1, Outlet thread must be sealing thread such as BSP, NPT, or CC. Threads without a sealing function (e.g., metric threads) are not suitable.
- 2, The standard length for sealing threads is typically 20mm. If customers have special requirements, we can extend the length.
- 3, In addition to the outlet sizes listed in the table above, we can also provide larger outlet sizes.

JUDBERD MACHINERY



SADDLE CLAMP FOR PE /PVC PIPE STYLE SCPEPVC 002

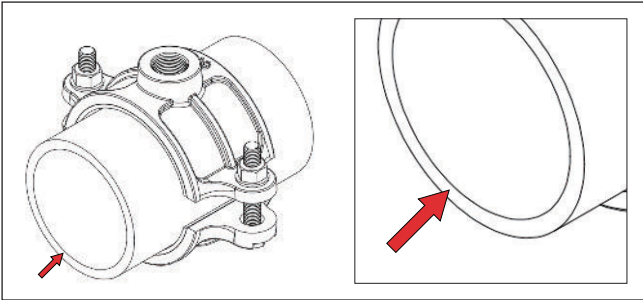
SADDLE CLAMP FOR PE /PVC PIPE STYLE SCPEPVC 002

FOR PE AND PVC PIPE

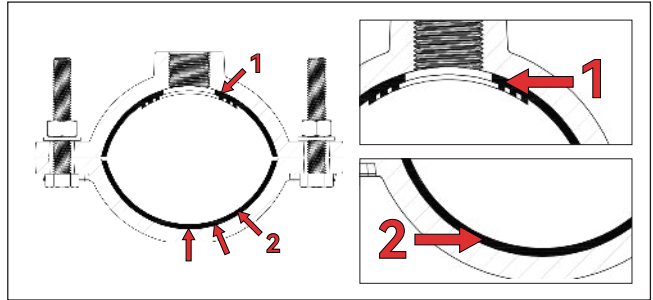


STYLE SCPEPVC 002	STYLE SCPEPVC 001
	
✓ Short	✓ Long
✓ 2 nos. bolts	✓ 4 nos. bolts
✓ Lower cost	✓ Higher cost
✓ Work well	✓ Work better

PIPE COMPATIBILITY



Designed for plastic pipe(HDPE &PVC pipe)
 For high-strength pipes such as ductile iron pipes, Steel pipe, cast iron pipe, asbestos cement pipe, GRP pipe etc, we can use narrower saddles to save costs. (Judberd wide range saddle clamp style WRSC001)



In addition to the sealing gasket around the outlet(as above figure 1), the inner surface of the saddle is 100% lined with EPDM rubber (as above figure 2) to protect the pipe surface.



Isolation valve can be any valve with a shut-off function, such as a gate valve, ball valve, or service valve. However, it is essential to ensure that the male threads on the valve match the standard of the female threads on the outlet of the saddle clamp and that the threads have a sealing function.

The key dimensions of a saddle clamp consist of two parts:
 1st is the material and outer diameter of the main pipe (as shown in Figure 1),
 2nd is the standard and size of the threaded outlet for the branch(as shown in Figure 2).

