

JUDBERD MACHINERY



SADDLE CLAMP FOR PE AND PVC PIPE WITH METRIC THREAD STYLE SCPEPVCMT001

FROM OD50 TO OD315 PN10/16, WITH M40 AND M55 OUTLET

BIGGER SIZE AND HIGHER PRESSURE ARE ALSO AVAILABLE , PLEASE CONSULT JUDBERD.



2 YEARS/5 YEARS/10 YEARS WARRANTY ACCORDING TO DIFFERENT MATERIAL CHOICE

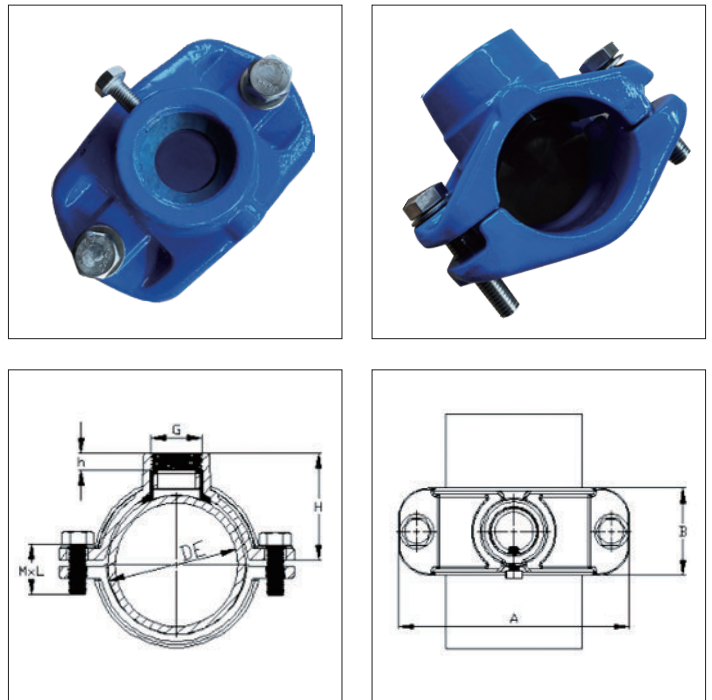


30 YEARS EXPERIENCE

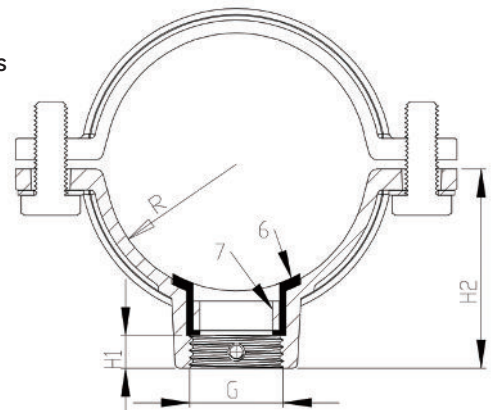
CERTIFIED TO WRAS AND ACS



| PVC/PE PIPE OD DE | G | A | B | H | h | MxL |
|-------------------|-------|-----|----|-------|----|--------|
| 50 | M40x3 | 127 | 70 | 55 | 14 | M14x40 |
| 63 | M40x3 | 141 | 70 | 61.5 | 14 | M14x40 |
| | M55x3 | 141 | 70 | 66.5 | 19 | M14x40 |
| 75 | M40x3 | 153 | 70 | 67.5 | 14 | M14x40 |
| | M55x3 | 153 | 70 | 72.5 | 19 | M14x40 |
| 90 | M40x3 | 168 | 70 | 75 | 14 | M14x40 |
| | M55x3 | 168 | 70 | 80 | 19 | M14x40 |
| 110 | M40x3 | 188 | 70 | 85 | 14 | M14x40 |
| | M55x3 | 188 | 70 | 90 | 19 | M14x40 |
| 125 | M40x3 | 202 | 70 | 92.5 | 14 | M14x40 |
| | M55x3 | 202 | 70 | 97.5 | 19 | M14x40 |
| 140 | M40x3 | 218 | 70 | 100 | 14 | M14x40 |
| | M55x3 | 218 | 70 | 105 | 19 | M14x40 |
| 160 | M40x3 | 237 | 70 | 110 | 14 | M14x40 |
| | M55x3 | 237 | 70 | 115 | 19 | M14x40 |
| 200 | M40x3 | 277 | 70 | 130 | 14 | M14x40 |
| | M55x3 | 277 | 70 | 135 | 19 | M14x40 |
| 225 | M40x3 | 306 | 70 | 142 | 14 | M14x50 |
| | M55x3 | 306 | 70 | 147 | 19 | M14x50 |
| 250 | M40x3 | 331 | 70 | 154.5 | 14 | M14x50 |
| | M55x3 | 331 | 70 | 159.5 | 19 | M14x50 |
| 315 | M40x3 | 396 | 70 | 187 | 14 | M14x50 |
| | M55x3 | 396 | 70 | 192 | 19 | M14x50 |



- 1, Outlet thread must be metric thread, without sealing function.
- 2, When installing the isolation valve, the bottom of the isolation valve's thread presses against the sealing surface of the saddle clamp's rubber gasket (as below figure No.6) to create a seal. To ensure a robust and stable seal, we have designed a PTFE support ring at the base of the rubber gasket to support the sealing surface (as shown in Figure No.7).
- 3, Please note that this metric thread saddle clamp can only be connected with isolation valves that have the same metric thread. It cannot be used with isolation valves that have other thread standards.
- 4, In addition to the outlet sizes listed in the table, we can also provide larger outlet sizes. However, this requires special design adjustments and mold modifications.



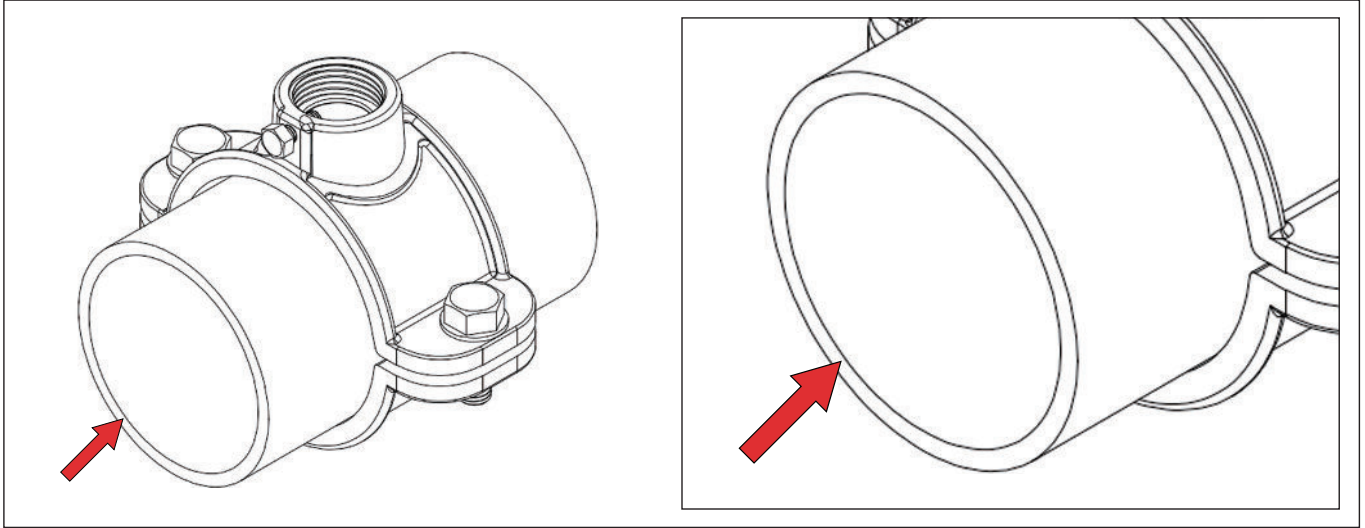
JUDBERD MACHINERY



SADDLE CLAMP FOR PE AND PVC PIPE WITH METRIC THREAD STYLE SCPEPVCMT001

SADDLE CLAMP FOR PE AND PVC PIPE WITH METRIC THREAD STYLE SCPEPVCMT001

PIPE COMPATIBILITY



PE AND PVC PIPE

Isolation valve can be any valve with a shut-off function, such as a gate valve, ball valve, or service valve. However, it is essential to ensure that thread on the valve match the standard and size of the metric female threads on the outlet of the saddle clamp .



The key dimensions of a saddle clamp consist of two parts: 1st is the material and outer diameter of the main pipe (as shown in Figure 1), 2nd is the standard and size of the threaded outlet for the branch(as shown in Figure 2).

