

JUDBERD MACHINERY



PVC SADDLE CLAMP FOR PVC PIPE STYLE PVCSCPVC P 001

PVC MATERIAL SADDLE CLAMP SPECIFICALLY DESIGNED FOR PVC PLASTIC PIPES., FROM OD50 TO OD400 PN10/16

BIGGER SIZE AND HIGHER PRESSURE ARE ALSO AVAILABLE, PLEASE CONSULT JUDBERD.

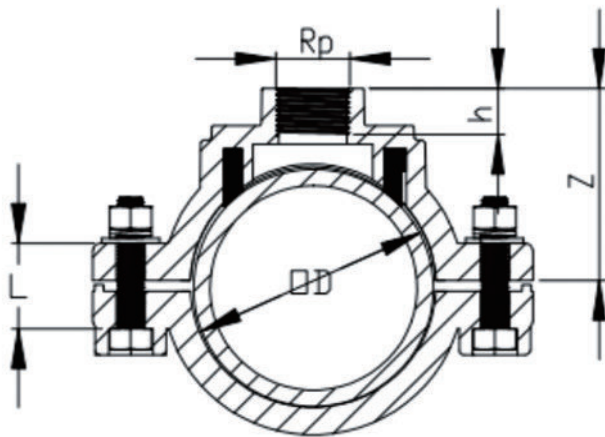


2 YEARS/5 YEARS/10 YEARS WARRANTY
ACCORDING TO DIFFERENT MATERIAL CHOICE



30 YEARS EXPERIENCE

CERTIFIED TO WRAS AND ACS



Note Above dimension is according to Metric PVC pipe, Saddle clamp for IPS standard PVC pipe is also available upon requirement.

- 1, Outlet thread must be sealing thread such as BSP, NPT, or CC. Threads without a sealing function (e.g., metric threads) are not suitable.
- 2, In addition to the outlet sizes listed in the table above, we can also provide larger outlet sizes. However, this requires special design adjustments and mold modifications.

ODxRp	h	Z	L
50x25	26	59	23
63x25	26	65	28
63x1"	21	60	28
75x1 1/2"	24	68	31
90x25	26	80	36
90x1"	24	79.5	36
90x1 1/2"	24	75	36
110x1/2"	24	88.5	38
110x1"	24	88.5	38
110x1 1/2"	35	97	38
110x2"	35	97	38
110x2 1/2"	35	97	38
125x1 1/2"	37	105	37
125x2"	37	105	37
125x2 1/2"	37	105	37
160x1/2"	36	125	55
160x3/4"	36	125	55
160x1"	24	114.5	55
160x1 1/2"	36	125	55
160x2"	36	125	55
160x2 1/2"	36	125	55
200x1 1/2"	35	142	74
200x2"	37	142	74
200x2 1/2"	37	142	74
225x1 1/2"	37	153.5	76
225x2"	37	153.5	76
225x2 1/2"	37	153.5	76
250x2"	28	170	76
250x2 1/2"	38	170	76
250x3"	34	170	76
250x110	61.5	195	76
315x2"	27	170	70
315x110	63	231.5	70
315x160	86	250	70
400x110	61	285	87
400x200	106	330	87
400x250	162	385	87